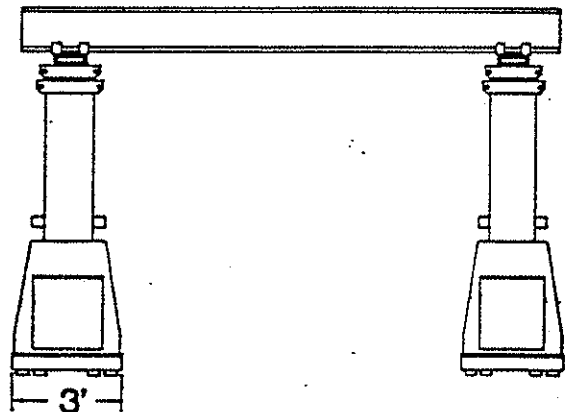
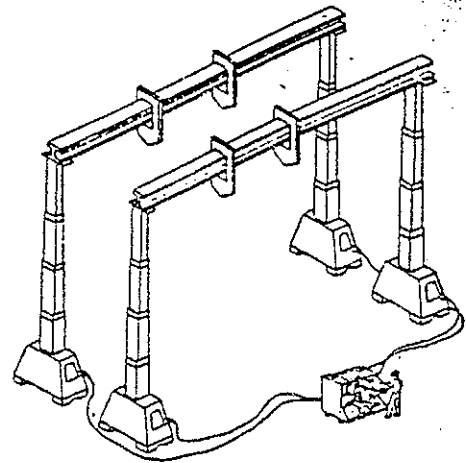
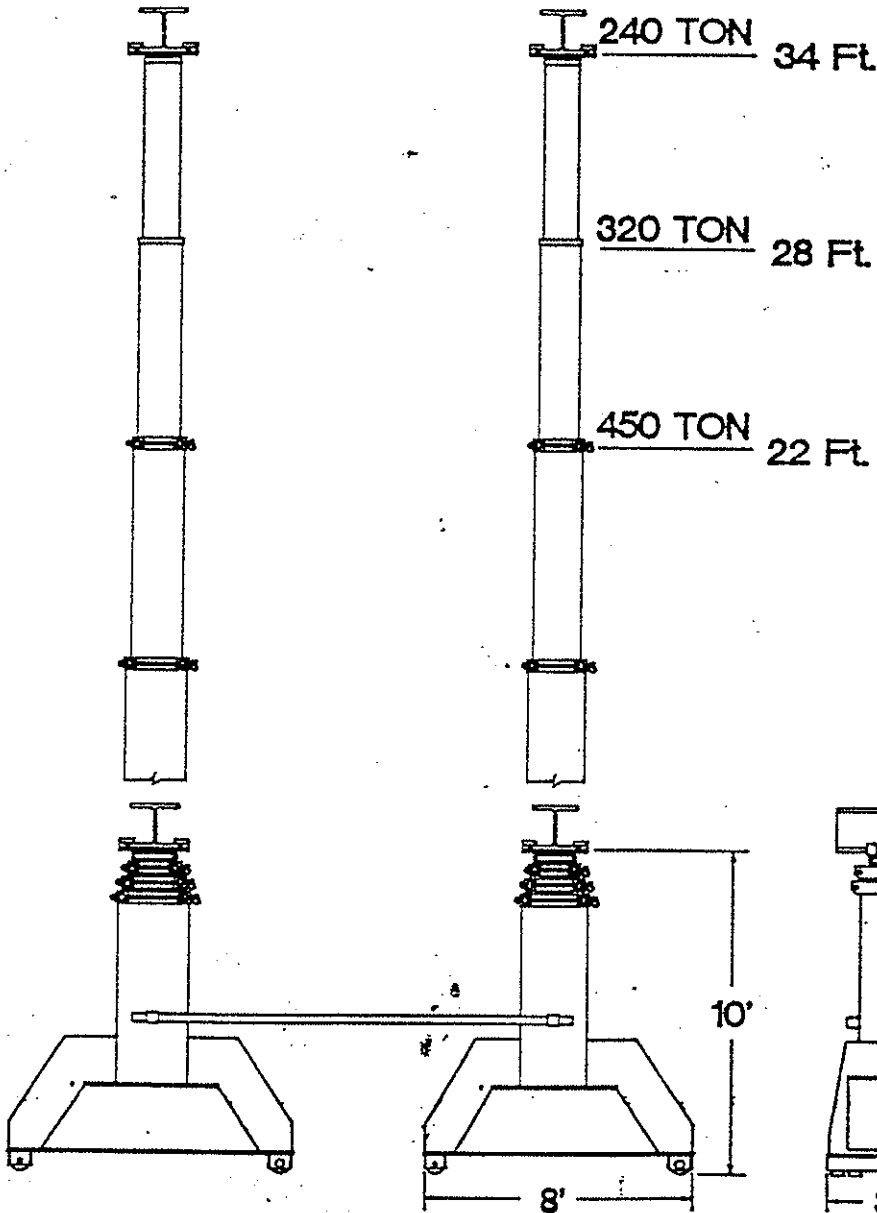


# LIFT-n-LOCK HYDRAULIC BOOM GANTRY

SPECIALIZED LIFTING AND TRANSPORTATION EQUIPMENT

J&R ENGINEERING CO., INC.  
W224 S8535 INDUSTRIAL DR.  
P.O. BOX 218  
BIG BEND, WI 53103  
414/662-2297  
FAX/662-4039

## MODEL 900-4-34



4' 2" OPTIONAL

### STANDARD EQUIPMENT

- Telescopic Boom
- Power Up and Down Telescopic Cylinder
- Oscillating/Rotating Header Plate.
- High Strength Wheels

### OPTIONAL EQUIPMENT

- Automatic Cam Locking System
- Continuous Planetary Propel
- Two Speed Hydraulic System
- Full Power Manual Section
- Diesel or Propane Power Unit

## LIFT BEAM LOAD CHART WITH 900-2-34 GANTRY

Fr: RT-3B

**ROUNTREE TRANSPORT  
& RIGGING, INC.**

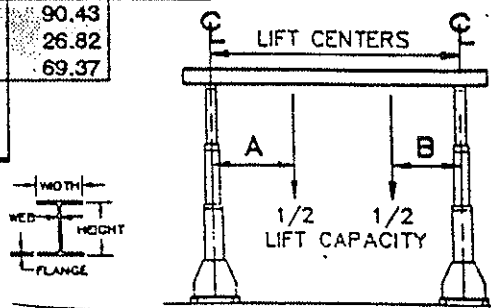
ONE (1) LIFT BEAM  
 TWO (2) LIFT LEGS  
 FIRST STAGE  
 MAX. LOAD PER LEG  
**112.5 TONS**

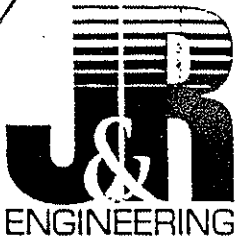
SIZE	14.0 In	BEAM LENGTH	37.0 Feet
WEIGHT/ FOOT	311.0 Lbs/Ft	BEAM WEIGHT	5.75 Tons
SECT. MODULUS	506.0 In <sup>3</sup>	LIFT CENTERS	34.0 Feet
MATERIAL YIELD	65,000 P.S.I	SAFETY FACTOR	2.2 to 1

THE BEAM WEIGHT IS DEDUCTED, WEIGHT OF ADDITIONAL RIGGING MUST BE DEDUCTED WHEN USING FOUR LIFT LEGS AND FOUR LIFTING PLACES CONSIDERATION MUST BE GIVEN TO THE POSSIBILITY OF ONLY TWO OF THE FOUR LIFTING PLACES ARE LIFTING THE LOAD AND DOUBLING THE LOAD ON THE BEAM AND RIGGING.

DIST. A IN FT.		DISTANCE B IN FEET							
		3.0	5.0	7.0	9.0	11.0	13.0	15.0	17.0
3.0	LIFTING CAPACITY	219.2		CAPACITIES LIMITED BY GANTRY CAPACITY		CAPACITIES LIMITED BY BEAM STRENGTH			
	LEG A LOAD	112.5							
	LEG B LOAD	112.5							
5.0	LIFTING CAPACITY	207.1	219.2						
	LEG A LOAD	100.3	112.5						
	LEG B LOAD	112.5	112.5						
7.0	LIFTING CAPACITY	196.2	181.7	171.0					
	LEG A LOAD	89.4	88.4	88.4					
	LEG B LOAD	112.5	99.1	88.4					
9.0	LIFTING CAPACITY	161.5	150.7	141.3	133.0				
	LEG A LOAD	69.4	69.4	69.4	69.4				
	LEG B LOAD	97.9	87.1	77.7	69.4				
11.0	LIFTING CAPACITY	142.3	132.1	123.3	115.6	108.8			
	LEG A LOAD	57.3	57.3	57.3	57.3	57.3			
	LEG B LOAD	90.8	80.6	71.8	64.1	57.3			
13.0	LIFTING CAPACITY	130.4	120.4	111.8	104.3	97.8	92.1		
	LEG A LOAD	48.9	48.9	48.9	48.9	48.9	48.9		
	LEG B LOAD	87.3	77.2	68.6	61.2	54.7	48.9		
15.0	LIFTING CAPACITY	123.32	113.04	104.35	96.89	90.4	84.8	79.8	
	LEG A LOAD	42.77	42.77	42.77	42.77	42.8	42.8	42.8	
	LEG B LOAD	86.30	76.02	67.33	59.87	53.4	47.8	42.8	
17.0	LIFTING CAPACITY	119.69	108.81	99.74	92.07	85.5	79.8	74.8	70.4
	LEG A LOAD	38.08	38.08	38.08	38.08	38.1	38.1	38.1	38.1
	LEG B LOAD	87.37	76.48	67.42	59.74	53.2	47.5	42.5	38.1
19.0	LIFTING CAPACITY	118.99	107.09	97.36	89.24	82.4	76.5	71.4	
	LEG A LOAD	34.37	34.37	34.37	34.37	34.4	34.4	34.4	
	LEG B LOAD	90.37	78.47	68.74	60.62	53.8	47.9	42.8	
21.0	LIFTING CAPACITY	121.12	107.66	96.89	88.09	80.7	74.5		
	LEG A LOAD	31.38	31.38	31.38	31.38	31.4	31.4		
	LEG B LOAD	95.50	82.04	71.27	62.46	55.1	48.9		
23.0	LIFTING CAPACITY	126.38	110.59	98.30	88.47	80.4			
	LEG A LOAD	28.90	28.90	28.90	28.90	28.9			
	LEG B LOAD	103.24	87.44	75.16	65.33	57.3			
25.0	LIFTING CAPACITY	133.1	116.27	101.74	90.43				
	LEG A LOAD	26.4	26.82	26.82	26.82				
	LEG B LOAD	112.5	95.21	80.68	69.37				
27.0	LIFTING CAPACITY	128.5	125.60	107.66					
	LEG A LOAD	21.8	25.04	25.04					
	LEG B LOAD	112.5	106.32	88.37					
29.0	LIFTING CAPACITY	124.2	128.5						
	LEG A LOAD	17.5	21.8						
	LEG B LOAD	112.5	112.5						
31.0	LIFTING CAPACITY	120.2							
	LEG A LOAD	13.5							
	LEG B LOAD	112.5							

BEAM DIAM. 16.8  
 HEIGHT 16.1  
 FLANGE 2.09  
 WEB 1.31





**J&R ENGINEERING CO., INC.**  
 W224 S8535 INDUSTRIAL DR.  
 P.O. BOX 218  
 BIG BEND, WI 53103  
 414/662-2297  
 FAX/662-4039

SPECIALIZED LIFTING AND TRANSPORTATION EQUIPMENT

## LIFT BEAM LOAD CHART WITH 900-2-34 GANTRY

Fn: RT-2B

**ROUNTREE TRANSPORT  
& RIGGING, INC.**

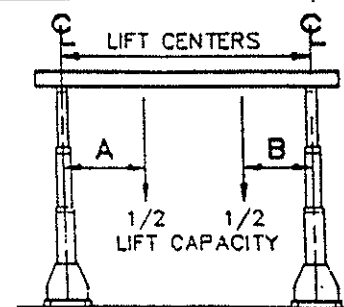
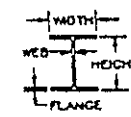
ONE (1) LIFT BEAM  
 TWO (2) LIFT LEGS  
 SECOND STAGE  
 MAX. LOAD PER LEG  
**80 TONS**

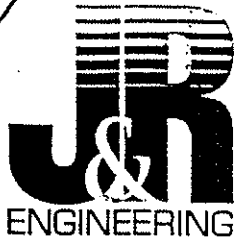
SIZE	14.0 In	BEAM LENGTH	37.0 Feet
WEIGHT/ FOOT	311.0 Lbs/Ft	BEAM WEIGHT	5.75 Tons
SECT. MODULUS	506.0 In <sup>3</sup>	LIFT CENTERS	34.0 Feet
MATERIAL YIELD	65,000 P.S.I	SAFETY FACTOR	2.2 to 1

THE BEAM WEIGHT IS DEDUCTED, WEIGHT OF ADDITIONAL RIGGING MUST BE DEDUCTED.  
 WHEN USING FOUR LIFT LEGS AND FOUR LIFTING PLACES CONSIDERATION MUST  
 BE GIVEN TO THE POSSIBILITY OF ONLY TWO OF THE FOUR LIFTING PLACES  
 ARE LIFTING THE LOAD AND DOUBLING THE LOAD ON THE BEAM AND RIGGING.

DIST. A IN FT.		DISTANCE B IN FEET							
		3.0	5.0	7.0	9.0	11.0	13.0	15.0	17.0
3.0	LIFTING CAPACITY LEG A LOAD LEG B LOAD	154.2 80.0 80.0		CAPACITIES LIMITED BY GANTRY CAPACITY		CAPACITIES LIMITED BY BEAM STRENGTH			
5.0	LIFTING CAPACITY LEG A LOAD LEG B LOAD	145.7 71.4 80.0	154.2 80.0 80.0						
7.0	LIFTING CAPACITY LEG A LOAD LEG B LOAD	138.0 63.8 80.0	145.7 71.4 80.0	154.2 80.0 80.0					
9.0	LIFTING CAPACITY LEG A LOAD LEG B LOAD	131.1 56.9 80.0	138.0 63.8 80.0	141.3 69.4 77.7	133.0 69.4 69.4				
11.0	LIFTING CAPACITY LEG A LOAD LEG B LOAD	124.9 50.6 80.0	131.1 56.9 80.0	123.3 57.3 71.8	115.6 57.3 64.1	108.8 57.3 57.3			
13.0	LIFTING CAPACITY LEG A LOAD LEG B LOAD	119.2 44.9 80.0	120.4 48.9 77.2	111.8 48.9 68.6	104.3 48.9 61.2	97.8 48.9 54.7	92.1 48.9 48.9		
15.0	LIFTING CAPACITY LEG A LOAD LEG B LOAD	114.0 39.8 80.0	113.04 42.77 76.02	104.35 42.77 67.33	96.89 42.77 59.87	90.4 42.8 53.4	84.8 42.8 47.8	79.8 42.8 42.8	
17.0	LIFTING CAPACITY LEG A LOAD LEG B LOAD	109.3 35.0 80.0	108.81 38.08 76.48	99.74 38.08 67.42	92.07 38.08 59.74	85.5 38.1 53.2	79.8 38.1 47.5	74.8 38.1 42.5	70.4 38.1 38.1
19.0	LIFTING CAPACITY LEG A LOAD LEG B LOAD	104.9 30.6 80.0	107.09 34.37 78.47	97.36 34.37 68.74	89.24 34.37 60.62	82.4 34.4 53.8	76.5 34.4 47.9	71.4 34.4 42.8	
21.0	LIFTING CAPACITY LEG A LOAD LEG B LOAD	100.9 26.6 80.0	104.9 30.6 80.0	96.89 31.38 71.27	88.09 31.38 62.46	80.7 31.4 55.1	74.5 31.4 48.9		
23.0	LIFTING CAPACITY LEG A LOAD LEG B LOAD	97.1 22.9 80.0	100.9 26.6 80.0	98.30 28.90 75.16	88.47 28.90 65.33	80.4 28.9 57.3			
25.0	LIFTING CAPACITY LEG A LOAD LEG B LOAD	93.6 19.4 80.0	97.1 22.9 80.0	100.9 26.6 80.0	90.43 26.82 69.37				
27.0	LIFTING CAPACITY LEG A LOAD LEG B LOAD	90.4 16.2 80.0	93.6 19.4 80.0	97.1 22.9 80.0					
29.0	LIFTING CAPACITY LEG A LOAD LEG B LOAD	87.4 13.2 80.0	90.4 16.2 80.0						
31.0	LIFTING CAPACITY LEG A LOAD LEG B LOAD	84.6 10.3 80.0							

BEAM DIAM.  
 HEIGHT 16.8  
 WIDTH 16.1  
 FLANGE 2.09  
 WEB 1.31





**J&R ENGINEERING CO., INC.**  
 W224 S8535 INDUSTRIAL DR.  
 P.O. BOX 218  
 BIG BEND, WI 53103  
 414/662-2297  
 FAX/662-4039

SPECIALIZED LIFTING AND TRANSPORTATION EQUIPMENT

<b>LIFT BEAM LOAD CHART WITH 900-2-34 GANTRY</b>									
Fn: RT-1B ROUNTREE TRANSPORT & RIGGING, INC.		SIZE 14.0 In		BEAM LENGTH 37.0 Feet		WEIGHT/ FOOT 311.0 Lbs/Ft		BEAM WEIGHT 5.75 Tons	
		SECT. MODULUS 506.0 In <sup>3</sup>		LIFT CENTERS 34.0 Feet		MATERIAL YIELD 65,000 P.S.I		SAFETY FACTOR 2.2 to 1	
ONE (1) LIFT BEAM TWO (2) LIFT LEGS THIRD STAGE MAX. LOAD PER LEG 60 TONS		THE BEAM WEIGHT IS DEDUCTED, WEIGHT OF ADDITIONAL RIGGING MUST BE DEDUCTED WHEN USING FOUR LIFT LEGS AND FOUR LIFTING PLACES CONSIDERATION MUST BE GIVEN TO THE POSSIBILITY OF ONLY TWO OF THE FOUR LIFTING PLACES ARE LIFTING THE LOAD AND DOUBLING THE LOAD ON THE BEAM AND RIGGING.							
DIST. A IN FT.		DISTANCE B IN FEET							
		3.0	5.0	7.0	9.0	11.0	13.0	15.0	17.0
3.0	LIFTING CAPACITY	114.2							
	LEG A LOAD	60.0							
	LEG B LOAD	60.0							
5.0	LIFTING CAPACITY	107.9	114.2						
	LEG A LOAD	53.7	60.0						
	LEG B LOAD	60.0	60.0						
7.0	LIFTING CAPACITY	102.2	107.9	114.2					
	LEG A LOAD	48.0	53.7	60.0					
	LEG B LOAD	60.0	60.0	60.0					
9.0	LIFTING CAPACITY	97.1	102.2	107.9	114.2				
	LEG A LOAD	42.9	48.0	53.7	60.0				
	LEG B LOAD	60.0	60.0	60.0	60.0				
11.0	LIFTING CAPACITY	92.5	97.1	102.2	107.9	108.8			
	LEG A LOAD	38.2	42.9	48.0	53.7	57.3			
	LEG B LOAD	60.0	60.0	60.0	60.0	57.3			
13.0	LIFTING CAPACITY	88.3	92.5	97.1	102.2	97.8	92.1		
	LEG A LOAD	34.0	38.2	42.9	48.0	48.9	48.9		
	LEG B LOAD	60.0	60.0	60.0	60.0	54.7	48.9		
15.0	LIFTING CAPACITY	84.4	88.3	92.5	96.89	90.4	84.8	79.8	
	LEG A LOAD	30.2	34.0	38.2	42.77	42.8	42.8	42.8	
	LEG B LOAD	60.0	60.0	60.0	59.87	53.4	47.8	42.8	
17.0	LIFTING CAPACITY	80.9	84.4	88.3	92.07	85.5	79.8	74.8	70.4
	LEG A LOAD	26.7	30.2	34.0	38.08	38.1	38.1	38.1	38.1
	LEG B LOAD	60.0	60.0	60.0	59.74	53.2	47.5	42.5	38.1
19.0	LIFTING CAPACITY	77.7	80.9	84.4	88.3	82.4	76.5	71.4	
	LEG A LOAD	23.4	26.7	30.2	34.0	34.4	34.4	34.4	
	LEG B LOAD	60.0	60.0	60.0	60.0	53.8	47.9	42.8	
21.0	LIFTING CAPACITY	74.7	77.7	80.9	84.4	80.7	74.5		
	LEG A LOAD	20.5	23.4	26.7	30.2	31.4	31.4		
	LEG B LOAD	60.0	60.0	60.0	60.0	55.1	48.9		
23.0	LIFTING CAPACITY	71.9	74.7	77.7	80.9	80.4			
	LEG A LOAD	17.7	20.5	23.4	26.7	28.9			
	LEG B LOAD	60.0	60.0	60.0	60.0	57.3			
25.0	LIFTING CAPACITY	69.4	71.9	74.7	77.7				
	LEG A LOAD	15.1	17.7	20.5	23.4				
	LEG B LOAD	60.0	60.0	60.0	60.0				
27.0	LIFTING CAPACITY	67.0	69.4	71.9					
	LEG A LOAD	12.7	15.1	17.7					
	LEG B LOAD	60.0	60.0	60.0					
29.0	LIFTING CAPACITY	64.7	67.0						
	LEG A LOAD	10.5	12.7						
	LEG B LOAD	60.0	60.0						
31.0	LIFTING CAPACITY	62.7							
	LEG A LOAD	8.4							
	LEG B LOAD	60.0							

